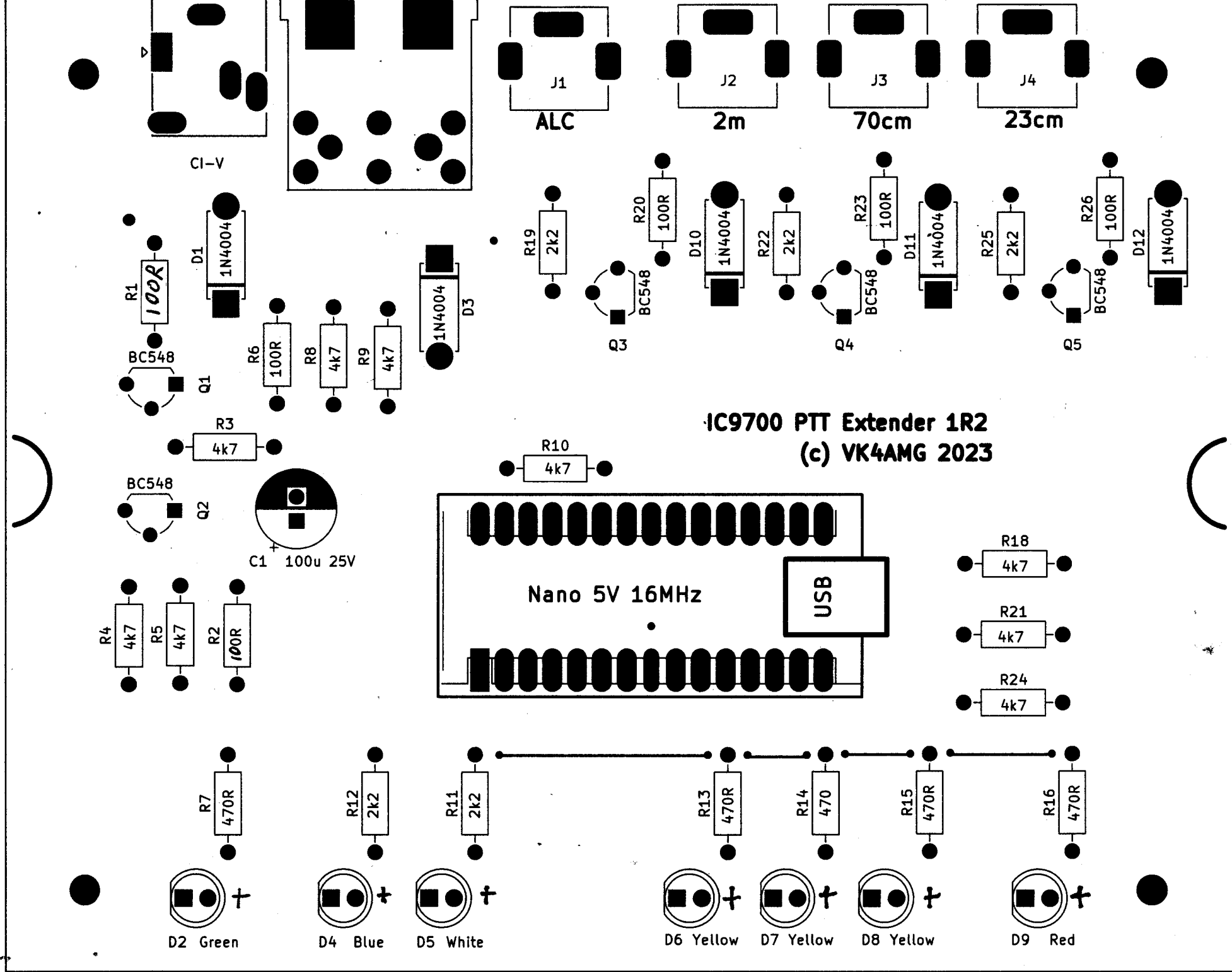


Component Placement
Top Side

20230215 PTT Extender

VK4AMC

16/2/23



Component Placement
Bottom Side - SMD

20230215 PTT-Extender

WIKING

16/2/23

